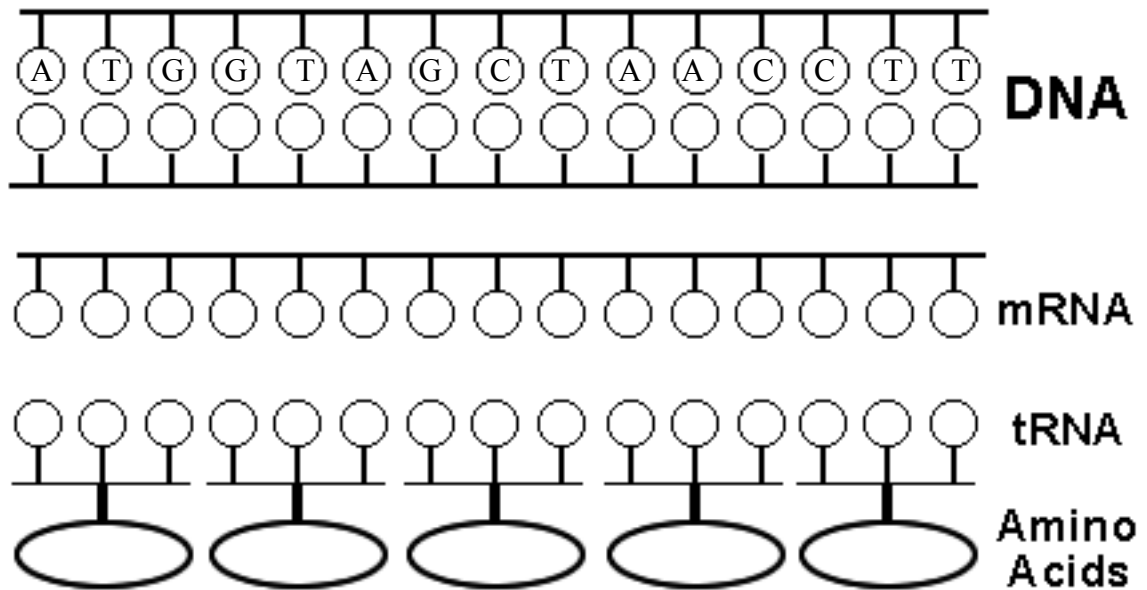


Transcription & Translation Summary

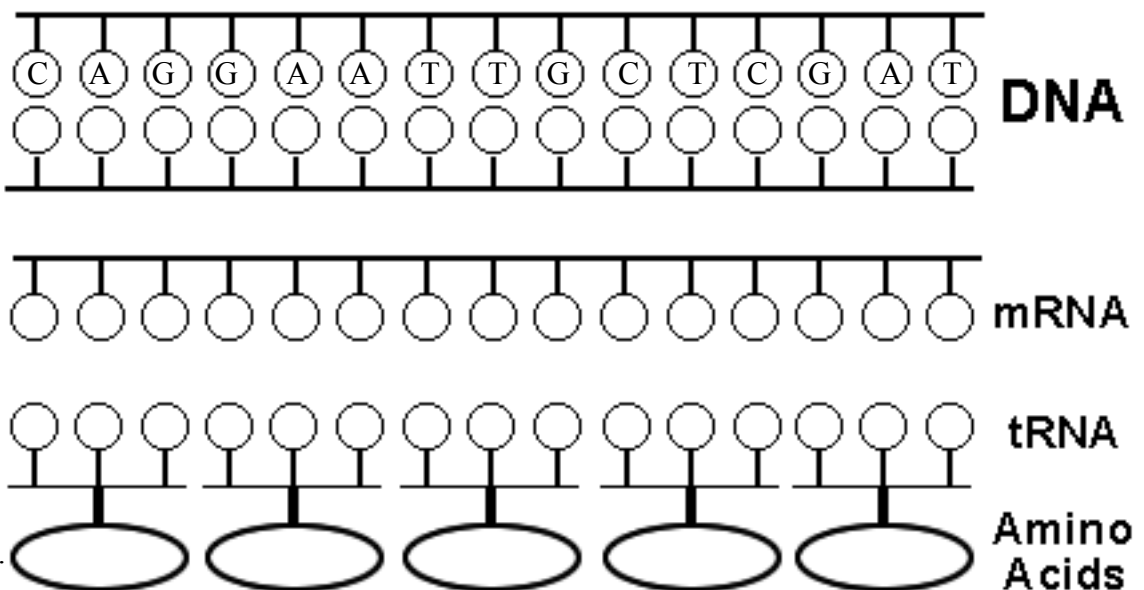
For each example:

- fill in the complimentary DNA strand
- fill in the correct mRNA bases by transcribing the bottom DNA code
- fill in the correct tRNA bases
- translate the mRNA codons to find the correct amino acids

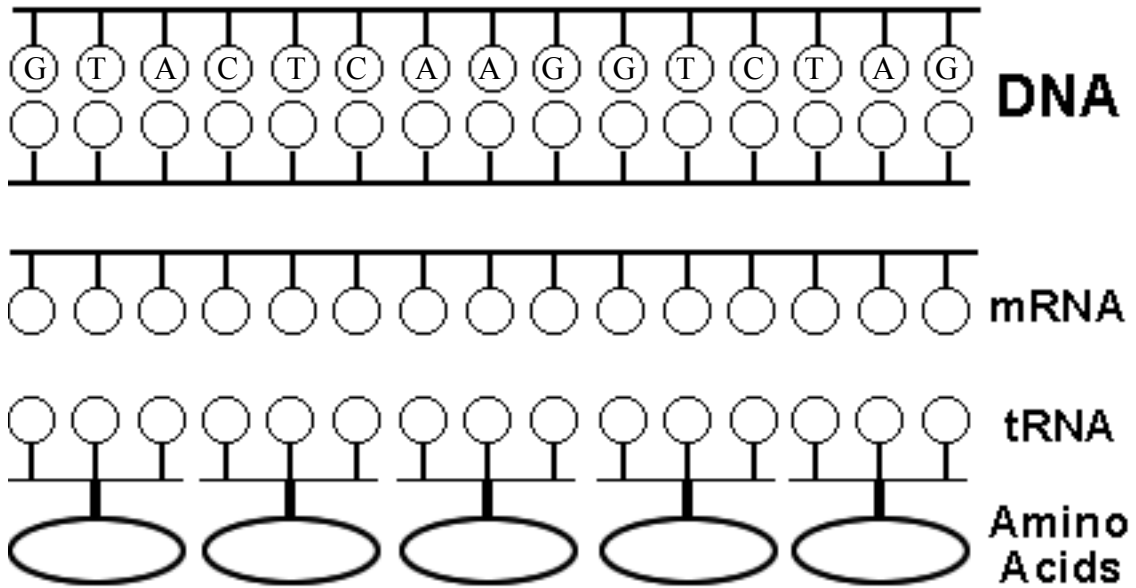
Example #1



Example #2



Example #3



Example #4

